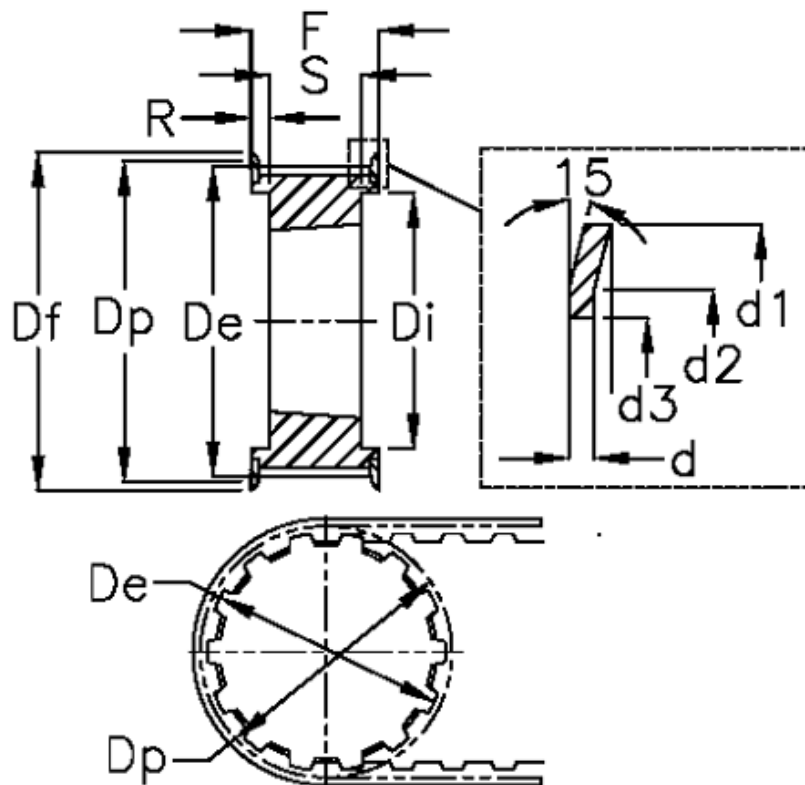


# Data Sheet



Article number: 604133048040  
 Description: Taper bored timing belt pulley  
 HTD 48 14M 40 TL 3020

## Measures



d = 2.5	F = 54	Weight = 9.4
d1 = 226	Flange type = F62	Width = 40
d2 = 214	For bushing = 3020	
d3 = 190	Max bore = 75	
De = 211.11	r = 1.5	
Df = 226	S = 51	
Di = 170	Tooth number = 48	
Dp = 213.9	Type = 14M	